

# J-SERIES ROTATING CONTROL DEVICE

Higher performance, lower cost

The AFGlobal J-Series rotating control device (RCD) is designed to help operators and drilling contractors overcome the challenges of drilling in extreme environments where 18-3/4-in. surface BOP stacks are employed. From the seal element geometry to the housing material selection, all components of the J-Series RCD ensure the safety of the rig crew by creating a leak-free seal between the annulus and the drill pipe. This seal enables the operator to safely divert fluid returns during MPD or other drilling applications.

The advanced bearing design and internal dynamic seals extend the life of the bearing, resulting in fewer bearing assembly change outs. The unique design enables the owner to perform bearing soft and hard redresses on the rig site or at their own service base. This eliminates the costly logistics and OEM service charges, significantly reducing the overall operating cost.

The clamp-less hydraulic latching dog mechanism enables quick and safe bearing and seal assembly installation, removing the requirement for rig personnel in hazardous zones.

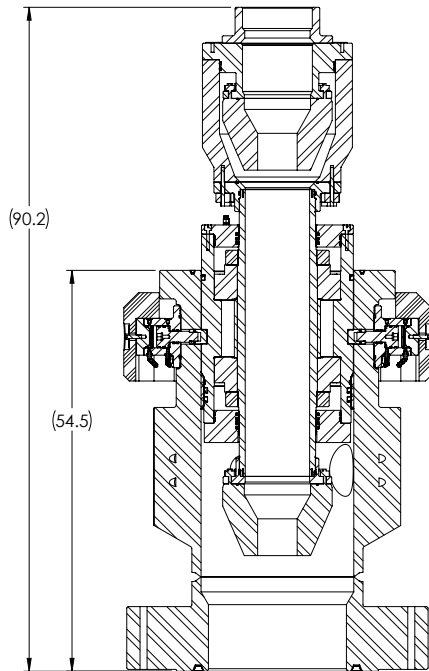
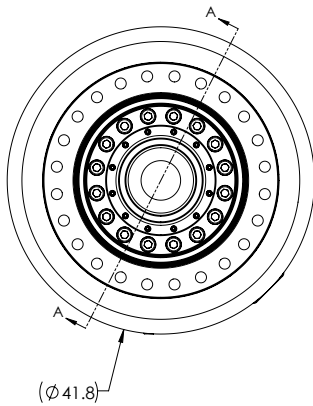
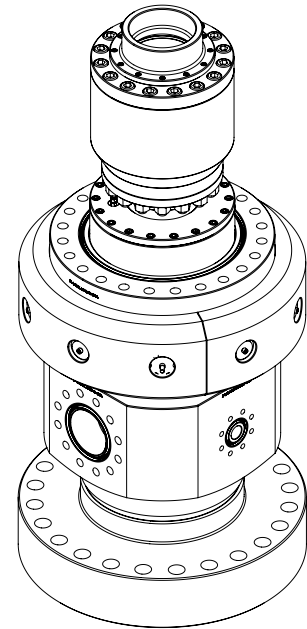
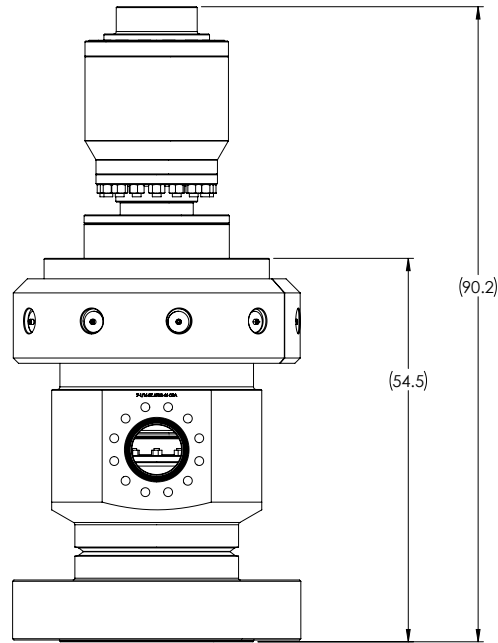
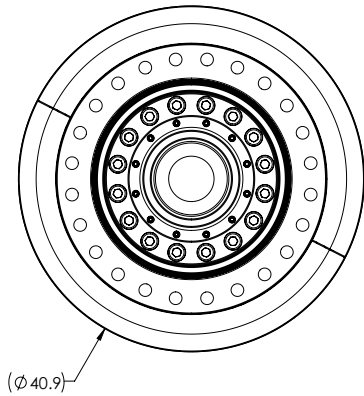
In-house FEA with hyper-elastic modeling and manufacturing means higher performance sealing elements with longer life.

## TECHNICAL OVERVIEW:

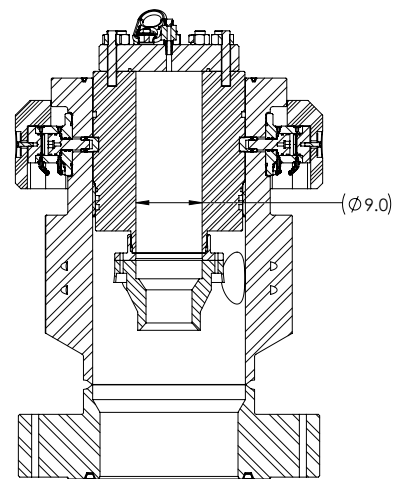
- Manufactured in accordance with API 16RCD
- Bearings mounted specifically for increased radial load capacity
- Precise bearing preload without the use of springs or shims
- Hydraulic latching dogs ensure engagement during loss of power: fail last position
- Static pressure rating: 5000 psi
- Dynamic pressure rating: 2500 psi
- Maximum RPM: 220
- Bearing assembly est. weight: 3,500 lbs
- Total RCD estimated weight with bearing assembly installed: 9,000 lbs
- Bowl height: 52.2-in.
- Bottom flange: API 18-3/4-in. 10K (5K optional)
- Top connection: API 21-1/4-in. 2K
- Sealed bearing assembly 8.75-in. ID
- DP sealing element sizes: 2-7/8-in. – 6-5/8-in.
- Sealing element material available in natural rubber, NBR, HNBR, PU
- Optional logging/snubbing adapters and selected casing strippers



COMPLIANCE WITH STANDARDS	API 16 RCD
MATERIAL SPECIFICATION	AISI 4130
NACE COMPLIANCE FOR H2S EXPOSURE	NACE MR0175
STANDARD MATERIAL TEMPERATURE RATING	0°F to 250°F (-18°C to 121°C) (API 16A Classification T-0/250)



**SECTION A-A**



**LOGGING ADAPTER WITH CASING STRIPPER**



945 Bunker Hill, Suite 500 | Houston, Texas 77024 USA | 713-393-4200

[afglobalcorp.com](http://afglobalcorp.com)